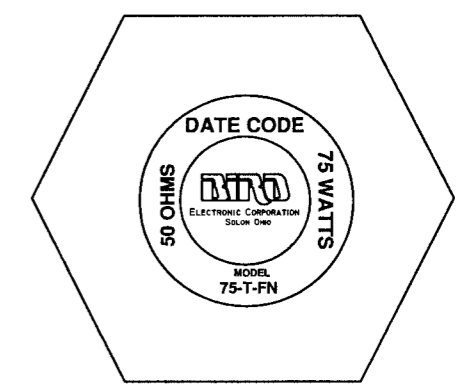
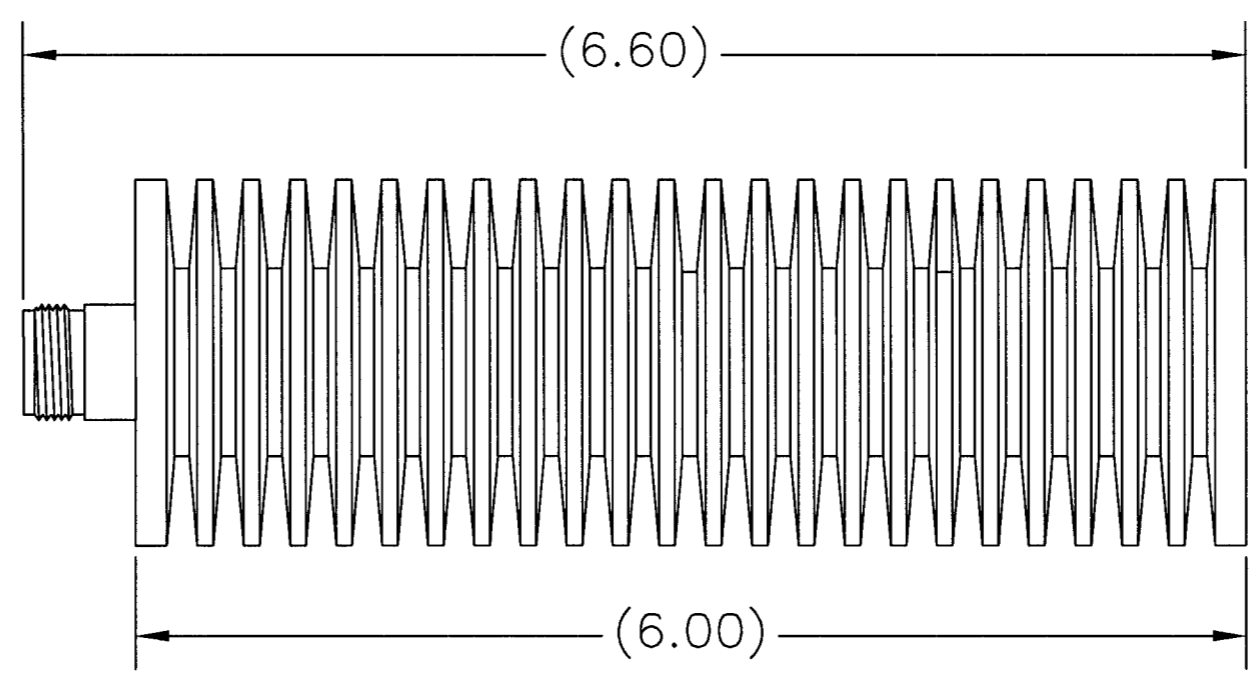
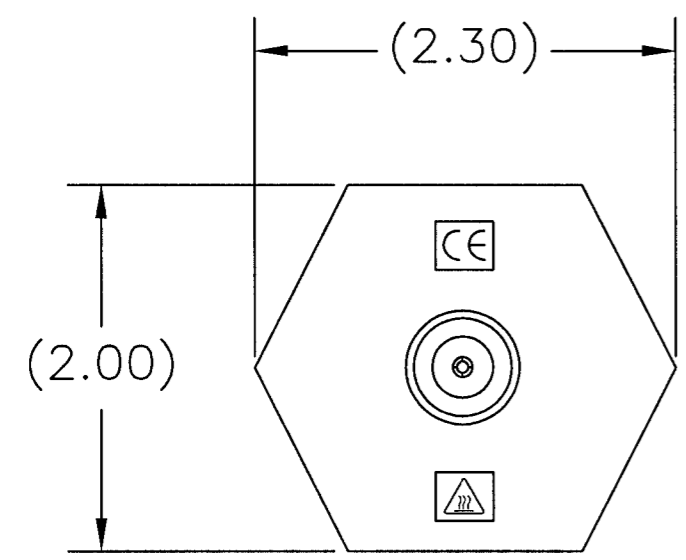


SHEET 1
 REV A
 DWG NO. 75-T-FN

REVISIONS				
ZONE	REV	DESCRIPTION	DATE	APPROVED
	A	ECN #0220	1-6-99	<i>MAN</i>

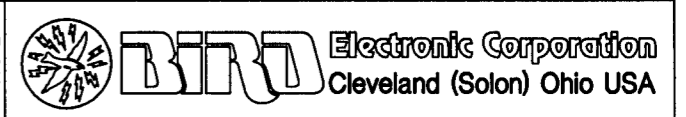
SPECIFICATIONS:
 POWER RATING: 75 W MAX. @ 40°C.
 90 W MAX. @ 25°C.
FREQUENCY RANGE & VSWR:
 DC TO 1GHz AT 1.10:1 MAX.
 1GHz TO 4GHz AT 1.25:1 MAX.
IMPEDANCE: 50 OHMS, NOMINAL
AMBIENT TEMPERATURE RANGE: -40°C TO +40°C
CONNECTOR: N-TYPE FEMALE (SILVER OR TRI-ALLOY PLATED)
OPERATING POSITION: ANY (CONVECTION COOLED)
FINISH: BLACK ANODIZED
NOMINAL SIZE: APPROX. 6.6" L X 2.3" DIA.
WEIGHT: APPROX. 1.32 LBS



DIMENSIONS HEREON ARE FOR CUSTOMER
 CONVENIENCE AND REFERENCE ONLY.
 TOLERANCE TO BE APPLIED ONLY WHERE
 INDIVIDUALLY STATED ON THE RESPECTIVE
 DIMENSION. -DO NOT SCALE DRAWING-

UNLESS OTHERWISE SPECIFIED DIMENSIONS ARE IN INCHES TOLERANCES ARE: FRACTIONS DECIMALS ANGLES $\pm 1/64$.XX = ± 0.010 $\pm 30'$.XXX = ± 0.005	MILLIMETERS .X = $\pm .4$.XX = $\pm .12$
DO NOT SCALE DRAWING	

THIS DRAWING IS THE PROPERTY OF THE BIRD ELECTRONIC CORPORATION. THE DESIGNS AND SPECIFICATIONS DISCLOSED HEREON ARE PROPRIETARY AND SHALL NOT BE REPRODUCED, NOR COPIED, NOR USED AS THE BASIS FOR THE MANUFACTURE OR SALE OF APPARATUS OR DEVICES WITHOUT THEIR EXPRESS WRITTEN CONSENT.



MATERIAL		APPROVALS		DATE	TITLE			
		DRAWN	D.M.RINK	11-8-02	TERMINATION, CONVECTION COOLED N-TYPE FEMALE, 75W			
FINISH		CHECKED			SIZE	FSCM NO.	DWG. NO.	REV
		APPROVED	<i>MARK V</i>	1-13-03	B	70998	75-T-FN	A
				AUTOCAD	SCALE	COMM CODE	SHEET	
					1:1	LD1	1 OF 1	